

SBX118

18" Powered Subwoofer

- ▶ Powerful neodymium transducers with tremendous motor strength reduce system weight and increase output response at all output levels.
- ▶ 4-in Voice Coil Driver
- ▶ Cable Chases for Concealed Wiring and Rigging.
- ▶ Multiple tie down points for secure stacking.
- ▶ Ultra-simple cardioid setup using rear panel display and data encoder



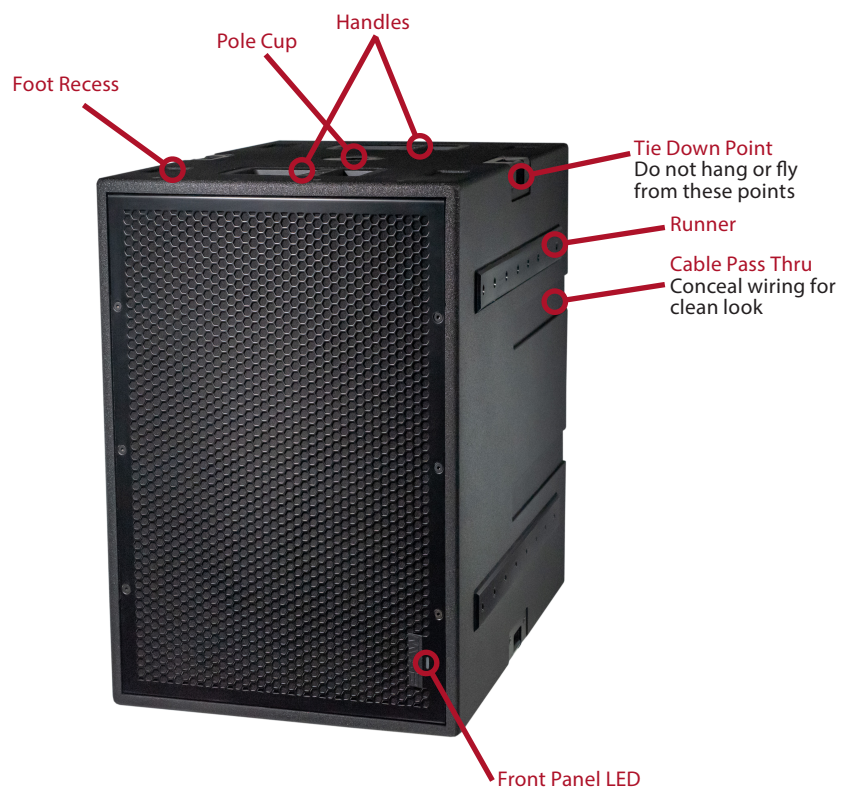
Dante
SPOKEN HERE

OVERVIEW

The SBX118 is a high output, mid-size subwoofer system designed to support any system from RSX to ADAPTive Series products. SBX Series use of neodymium woofers with a 4-in voice coil ensures the best sonic performance, meeting expectations for venues of all sizes.

Engineered for both production and installation uses, the small form factor makes this a small foot print in either case. Equipped with multiple threaded pole mounts and rugged handles, this makes for a perfect solution for smaller gigs or on stage fills. Integrated runners on the top and sides lock subs together to resist movement due to vibration and provide a clean look.

SBX118's hefty grill with large openings protects the woofers, resists damage, and is acoustically transparent. The ultra large port, inspired by aircraft design, eliminates port noise. EAW DynO™ gets every last dB of performance out of the system in the most challenging conditions.



TECHNICAL SPECIFICATIONS

SINGLE 18" POWERED SUBWOOFER

PERFORMANCE	
Max SPL (Half Space)	135dB
Operating Range	25Hz–120Hz

ELECTRICAL	
Input Type	Electronically Balanced
Max Input Level	21dBu
Impedance	20 kOhm (balanced)
Input Wiring	XLRf, Pin 1 chassis, pin 2 +, pin 3 – separate loop-thru XLRM (for analog signal only)
Input Selection	Analog, Dante
Amplifiers & Processing (LF/HF) Type	Modified Class D
Maximum Output	2500W
Driver Protection	Integral DSP limiting
AC Mains (nominal) Connector	Neutrik PowerCON TRUE1 TOP
Input	100V TO 240V
Frequency	50 Hz to 60 Hz
Power Consumption	Idle – 20W
	1/8th - 200W
	1/3rd - 300W
	Full - 550W
Controls/Communication Connections	Neutrik PowerCON TRUE1 TOP
Protocols	Ethernet/Dante
Software	EAW Resolution 2™

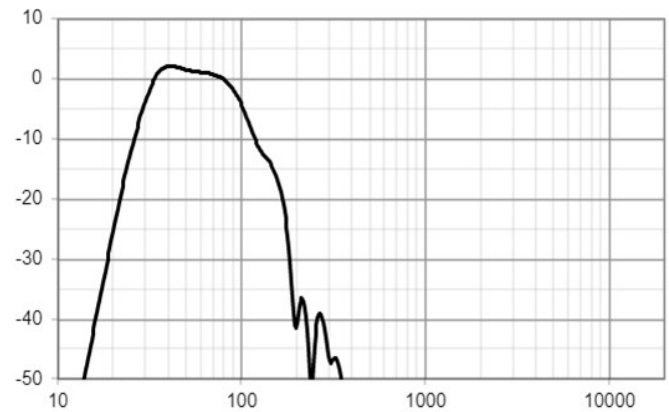
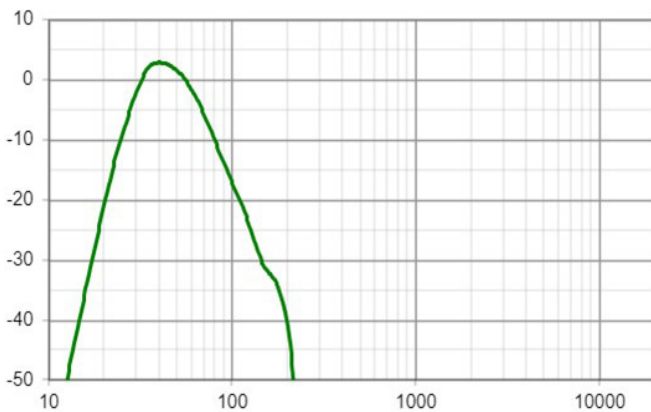
CONFIGURATION		
Subsystem	Transducer	Loading
	1x18" cone, 4" VC	Vented
Operating Mode	Amplifier Channels	External Signal Processing
Single Amp	VLF	DSP w/EAW DynO™

ORDERING DATA	
Part Numbers:	
SBX118 Black	2070834-70
Accessories	
SBX118 CART	2071082-70
SBX118 CASTOR KIT	2070738
SBX118 COVER	2071299
NTX RAINSHIELD-HORIZONTAL	2070971
M20 THREADED POLE	2047634

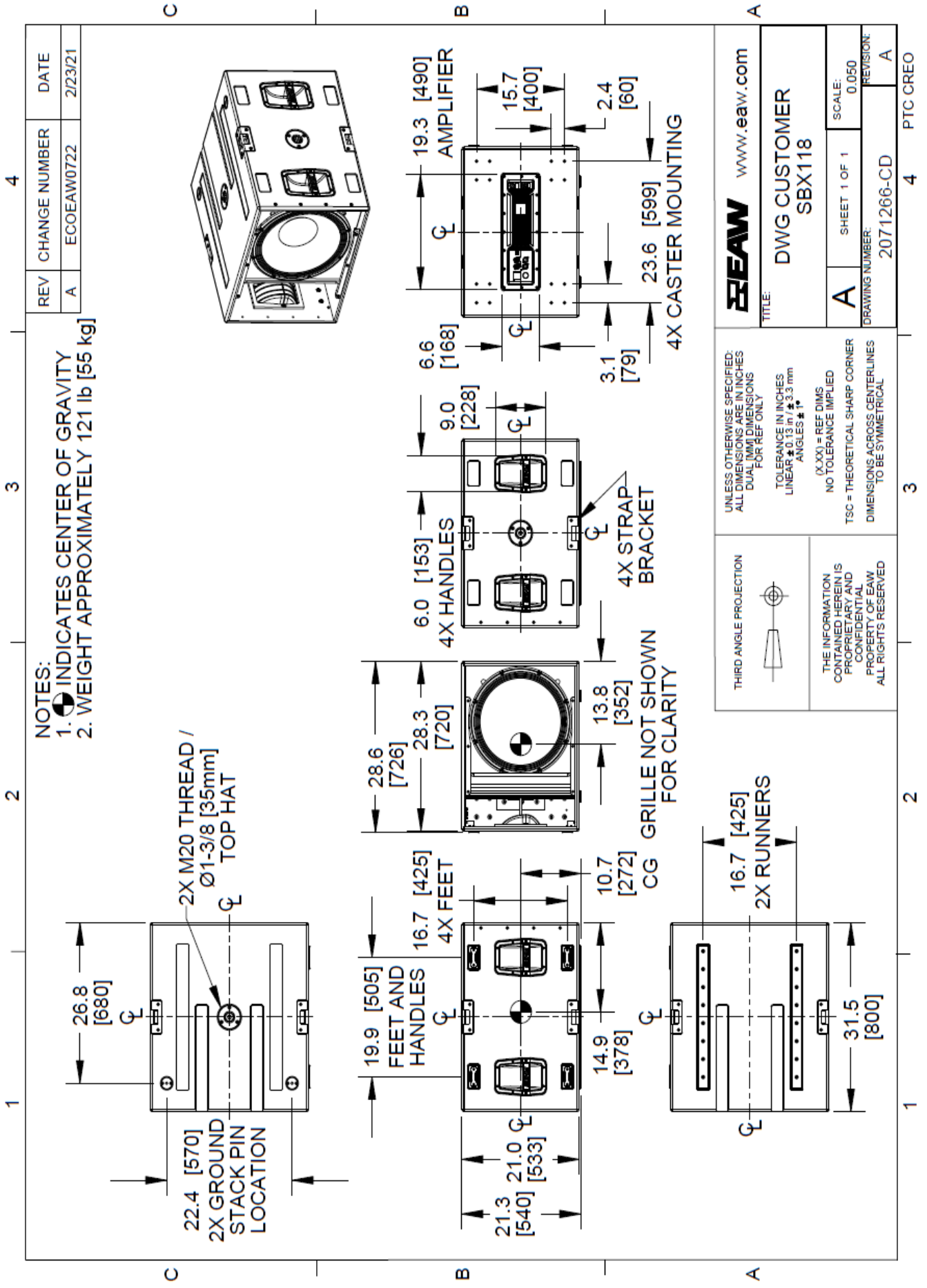
PHYSICAL	
Dimensions (H×W×D)	21.3 X 28.6 X 31.5 (540 X 726 X 800)
Weight	121lbs

PERFORMANCE GRAPHS

Frequency Response¹ ■=60Hz Setting ■=100Hz Setting



¹ Variation in acoustic output level with frequency for a constant input signal. Processed: normalized to 0 dB SPL. Unprocessed inputs: 2 V (4 ohm nominal impedance), 2.83 V (8ohm nominal impedance), or 4 V (16 ohm nominal impedance) referenced to a distance of 1 m.



REV	CHANGE NUMBER	DATE
A	EEOEAW0722	2/23/21

EA www.eaw.com

TITLE: DWG CUSTOMER SBX118

A SHEET 1 OF 1 SCALE: 0.050

DRAWING NUMBER: 2071266-CD REVISION: A

THIRD ANGLE PROJECTION

UNLESS OTHERWISE SPECIFIED:
 ALL DIMENSIONS ARE IN INCHES
 DUAL (MM) DIMENSIONS FOR REF ONLY

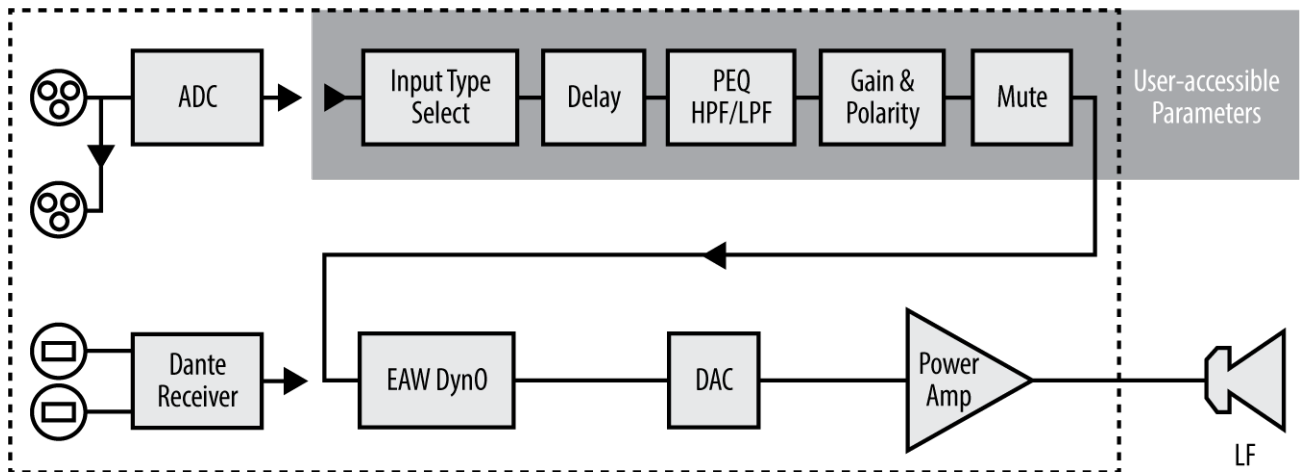
TOLEANCE IN INCHES:
 LINEAR ±0.15 / ±3.9 mm
 ANGLES ±1°

(XXX) = REF DIMS
 NO TOLERANCE IMPLIED

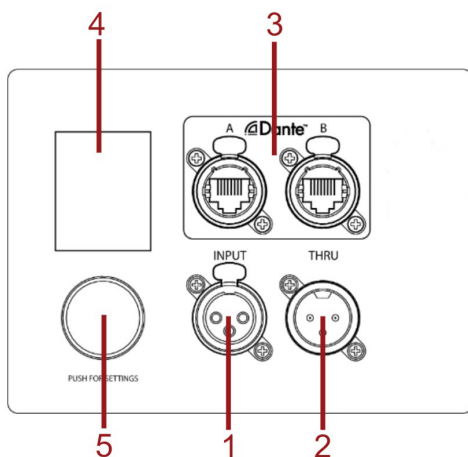
TSC = THEORETICAL SHARP CORNER
 DIMENSIONS ACROSS CENTERLINES TO BE SYMMETRICAL

THE INFORMATION CONTAINED HEREIN IS PROPRIETARY AND CONFIDENTIAL PROPERTY OF EAW. ALL RIGHTS RESERVED.

SIGNAL DIAGRAM



INPUT PANEL



- 1 XLR Input
- 2 XLR Thru
- 3 Dante A / B
- 4 LCD UI Display
- 5 DSP Navigation / Edit Wheel

Legend

- HPF** High Pass Filter for crossover –or– Recommended High Pass Filter
- LPF** Low Pass Filter for crossover
- LF/MF/HF** Low Frequency / Mid Frequency / High Frequency
- AMP** User Supplied Power Amplifier –or– Integral Amplifier for NT products
- XVR** Passive LPFs, HPFs, and EQ integral to the loudspeaker
- EAW Focusing** Digital Signal Processor capable of implementing EAW Focusing
- EAW DynO** Digital Signal Processor capable of implementing EAW DynO processing



One Main Street
Whitinsville, MA 01588
Tel 800 992 5013 / +1 508 234 6158

www.eaw.com

